

# AERFOAM

Insulated ductwork system  
for air distribution



ubbink

Build smart.



ZERO  
Carbon Footprint

# Aerfoam

## **The insulated ductwork with zero carbon footprint**

Aerfoam is new but its familiar looks confirms its market standard for simple and aesthetic ductwork installations. Aerfoam is the latest evolution of Ubbink's popular range of insulated ductwork that now has a zero carbon footprint. With Aerfoam, Ubbink continues to build the market standard for rustproof, airtight and easy to install ductwork systems for ventilation, heating and cooling.

## **Climate protection is a constant process**

The core of the sustainability enhancement is found in the usage of bio-based resources instead of fossil resources, where 62.8kg CO<sub>2</sub>/m<sup>3</sup> emission was reduced to zero. The Aerfoam insulated ductwork system is an important step to realizing Ubbink's ambition to become a circular brand. Aerfoam is tested and certified by building and environmental organizations.



**ZERO**  
Carbon Footprint



# Advantages

## Short-term and long-term Aerfoam advantages

### Energy efficiency

- Well-insulated
- Low pressure
- Non-porous
- Airtight

### System completeness

- Available in 125, 150, 160 and 180 mm
- 45° and 90° bends plus T-pieces for 125 and 160 mm
- 15°, 30°, 45° and 90° bends plus Y-pieces for 150 and 180 mm
- Adaptors for connections to insulated terminals

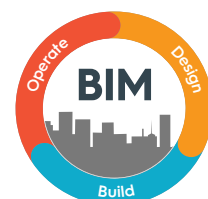


### Aesthetics

- Doesn't rust
- Compact connections
- No unattractive post installation materials needed

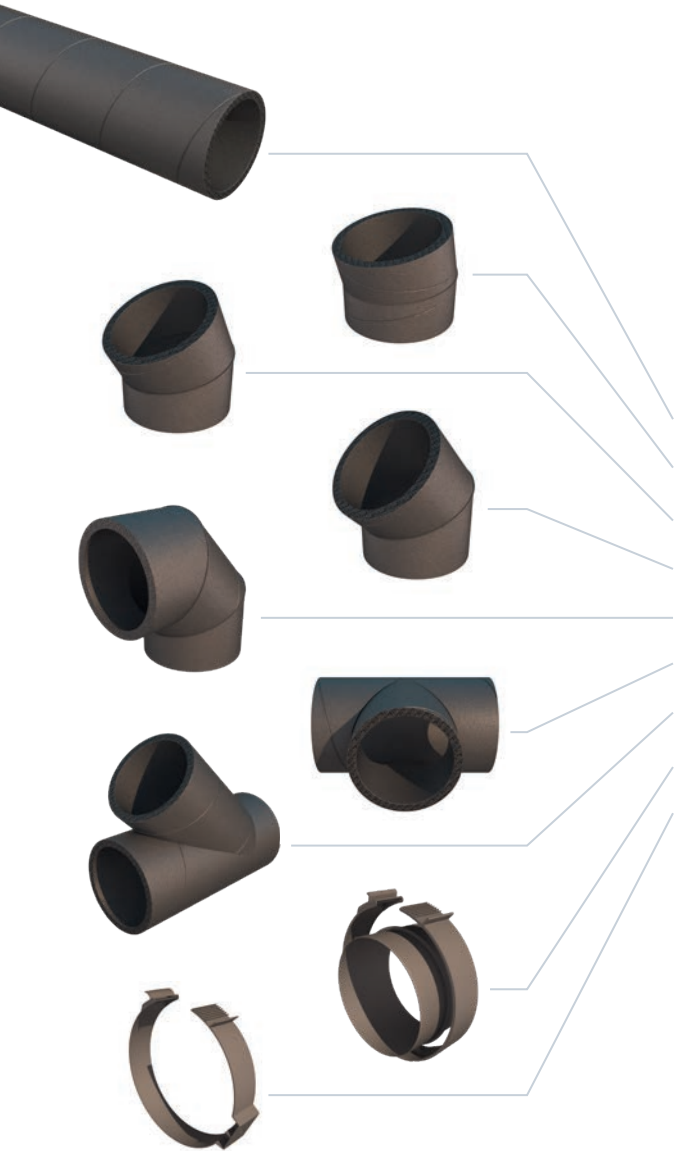
### Convenient installation and planning

- Mechanical connections
- Extremely light material
- Easy and safe to cut
- Pliable
- Impact resistant
- Easy to dismantle for maintenance
- BIM-ready



# Smart & Easy to install

A complete, airtight ductwork system



Diameter [mm]	125	150	160	180
Insulated duct - 2m	✓	✓	✓	✓
15° bend	-	✓	-	✓
30° bend	-	✓	-	✓
45° bend	✓	✓	✓	✓
90° bend	✓	✓	✓	✓
T-Piece	✓	-	✓	-
Y-Piece	-	✓	-	✓
Duct connector	✓	✓	✓	✓
Wall bracket	✓	✓	✓	✓

Insulating ducts in air distribution systems used for ventilation, heating or cooling is often required to minimise heat loss or prevent condensation on or in the duct. Ubbink has developed a complete range of insulated ductwork, which are extremely easy to install and maintain. They are available in a large range of diameters and bends. Several accessories including terminals and airtight external duct seals complete the program.

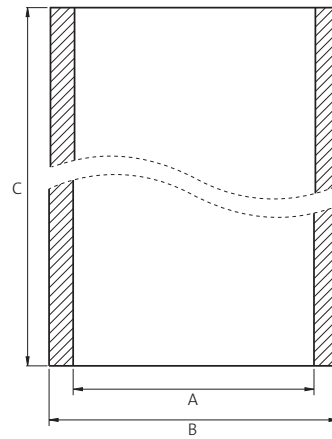
There is a risk of condensation in or on ductwork if the air in the duct is colder than the ambient air (or vice versa). Therefore, it is very important to use insulated ductwork if such conditions could occur.

# Technical Details

Specifications	
Material	EPE
Ductwork lengths	2.00m
Density	30kg/m <sup>3</sup>
Heat transfer coefficient	0.041W/m.K (EN 12667)
Thermal resistance	R = 0.39m <sup>2</sup> K/W
Temperature range	Min. -30°C   Max. +60°C
Wall thickness	16mm
Reaction to fire*	Class B - s2, d0 (EN 13501-1:2018)
Function	Transport of air for ventilation and/or heating and/or cooling
Airtightness	D (EN 12237) = ATC 2 (EN 16798)
Material couplers and brackets	PP
Material Y-piece	EPP

\*The reaction to fire classification of the duct connectors and wall brackets is Class E (EN 13501).

Dimensions	125	150	160	180
A [mm]	125	150	160	180
B [mm]	157	182	192	212
C [mm]	2.000	2.000	2.000	2.000
m [kg]	0,48	0,56	0,53	0,67



# Performance

Diameter [mm]	125	150	160	180
Qv (Volume) [m <sup>3</sup> /h]	Δp (Pressure loss) [Pa]			
100	1,0	1,0	1,0	1,0
200	2,7	1,1	1,0	1,0
300	6,1	2,5	1,8	1,0
400	10,8	4,5	3,1	1,6
500	16,9	7,0	4,9	2,5
600	24,3	10,1	7,0	3,6

Diameter [mm]	125	150	160	180
Qv (Volume) [m <sup>3</sup> /h]	v (Velocity) [m/s]			
100	2,3	1,6	1,4	1,1
200	4,5	3,1	2,8	2,2
300	6,8	4,7	4,1	3,3
400	9,1	6,3	5,5	4,4
500	11,3	7,9	6,9	5,5
600	13,6	9,4	8,3	6,5



ENERGY



VENTILATION



BUILDING



**Ubbink International**

@ info@ubbink.com •  www.ubbink.com



**ZERO**  
Carbon Footprint

© 2021 - Ubbink Centrotherm Group | Content is subject to change without notice; no liability for errors and misprints. | Availability and configurations may differ per country. | UB-2021-01-V01-INT-EN