

AERFOAM

Insulated ductwork system
for air distribution



ubbink

Build smart.



ZERO
Carbon Footprint

Aerfoam

The insulated ductwork with zero carbon footprint

Aerfoam is new but its familiar looks confirms its market standard for simple and aesthetic ductwork installations. Aerfoam is the latest evolution of Ubbink's popular range of insulated ductwork that now has a zero carbon footprint. With Aerfoam, Ubbink continues to build the market standard for rustproof, airtight and easy to install ductwork systems for ventilation, heating and cooling.

Climate protection is a constant process

The core of the sustainability enhancement is found in the usage of bio-based resources instead of fossil resources, where 62.8kg CO₂/m³ emission was reduced to zero. The Aerfoam insulated ductwork system is an important step to realizing Ubbink's ambition to become a circular brand. Aerfoam is tested and certified by building and environmental organizations.



ZERO
Carbon Footprint



Advantages

Short-term and long-term Aerfoam advantages

Energy efficiency

- Well-insulated
- Low pressure
- Non-porous
- Airtight

System completeness

- Available in 125, 150, 160 180mm and 200mm
- 45° and 90° bends for 125, 150, 160, 180 and 200mm
- 15° and 30° bends for 150, 160 and 180mm
- T-pieces for 125 and 180mm and Y-pieces for 150 and 180mm
- Adaptors for connections to insulated terminals

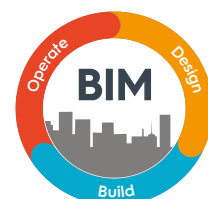


Aesthetics

- Doesn't rust
- Compact connections
- No unattractive post installation materials needed

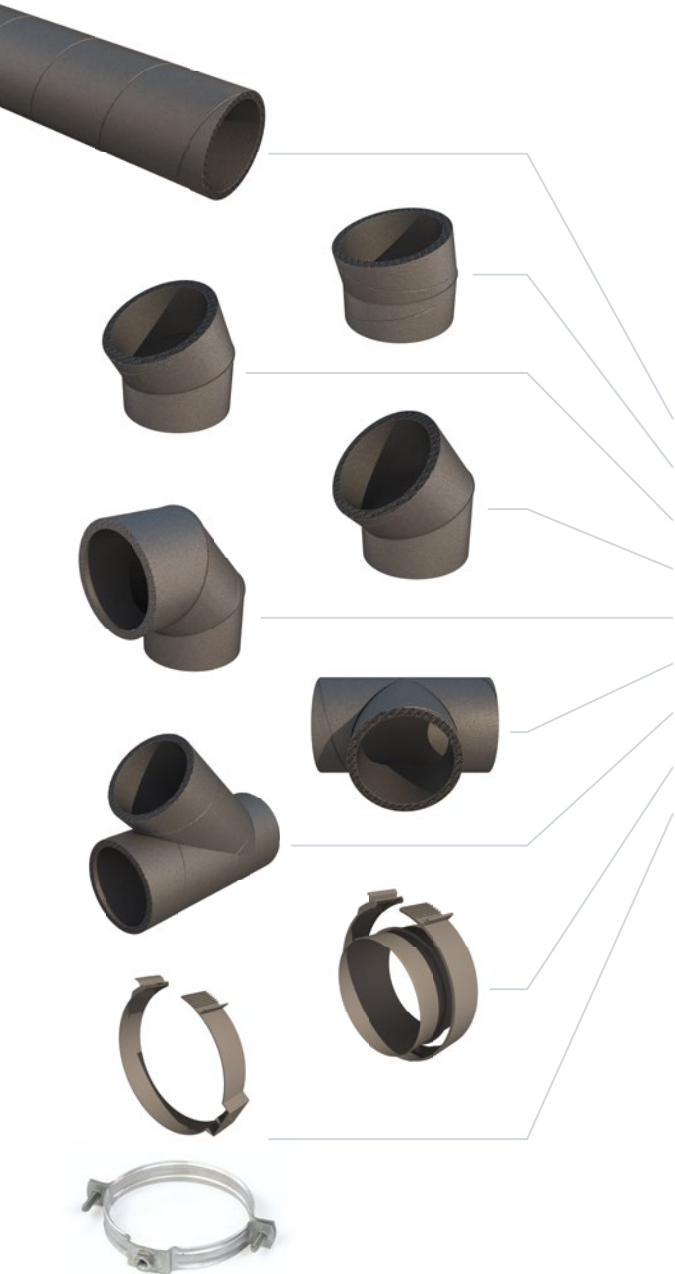
Convenient installation and planning

- Mechanical connections
- Extremely light material
- Easy and safe to cut
- Pliable
- Impact resistant
- Easy to dismantle for maintenance
- BIM-ready



Smart & Easy to install

A complete, airtight ductwork system



Diameter [mm]	125	150	160	180	200
Insulated duct - 2m	✓	✓	✓	✓	✓
15° bend	-	✓	✓	✓	-
30° bend	-	✓	✓	✓	-
45° bend	✓	✓	✓	✓	✓
90° bend	✓	✓	✓	✓	✓
T-Piece	✓	-	✓	-	-
Y-Piece	-	✓	-	✓	-
Duct connector	✓	✓	✓	✓	✓
Wall bracket	✓	✓	✓	✓	✓

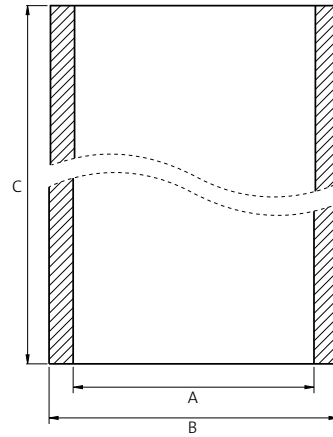
Insulating ducts in air distribution systems used for ventilation, heating or cooling is often required to minimise heat loss or prevent condensation on or in the duct. Ubbink has developed a complete range of insulated ductwork, which are extremely easy to install and maintain. They are available in a large range of diameters and bends. Several accessories including terminals and airtight external duct seals complete the program.

There is a risk of condensation in or on ductwork if the air in the duct is colder than the ambient air (or vice versa). Therefore, it is very important to use insulated ductwork if such conditions could occur.

Technical Details

Specifications	
Material	EPE
Ductwork lengths	2.00m
Density	30kg/m ³
Heat transfer coefficient	0.041W/m.K (EN 12667)
Thermal resistance	R = 0.39m ² K/W
Temperature range	Min. -30°C Max. +60°C
Wall thickness	16mm
Reaction to fire*	Class B - s2, d0 (EN 13501-1:2018)
Function	Transport of air for ventilation and/or heating and/or cooling
Airtightness	D (EN 12237) = ATC 2 (EN 16798)
Material couplers and brackets	PP
Material Y-piece	EPP

Dimensions	125	150	160	180	200
A [mm]	125	150	160	180	200
B [mm]	157	182	192	212	232
C [mm]	2.000	2.000	2.000	2.000	2.000
m [kg]	0,48	0,56	0,53	0,67	0,80



*The reaction to fire classification of the duct connectors and wall brackets is Class E (EN 13501).

Performance

Diameter [mm]	125	150	160	180	200
Qv (Volume) [m ³ /h]	Δp (Pressure loss) [Pa]				
100	1,0	1,0	1,0	1,0	0,1
200	2,7	1,1	1,0	1,0	0,2
300	6,1	2,5	1,8	1,0	0,5
400	10,8	4,5	3,1	1,6	0,9
500	16,9	7,0	4,9	2,5	1,3
600	24,3	10,1	7,0	3,6	1,9

Diameter [mm]	125	150	160	180	200
Qv (Volume) [m ³ /h]	v (Velocity) [m/s]				
100	2,3	1,6	1,4	1,1	0,9
200	4,5	3,1	2,8	2,2	1,8
300	6,8	4,7	4,1	3,3	2,7
400	9,1	6,3	5,5	4,4	3,5
500	11,3	7,9	6,9	5,5	4,4
600	13,6	9,4	8,3	6,5	5,3



ENERGY



VENTILATION



BUILDING



Ubbink International

@ info@ubbink.com •  www.ubbink.com



ZERO
Carbon Footprint

© 2021 - Ubbink Centrotherm Group | Content is subject to change without notice; no liability for errors and misprints. | Availability and configurations may differ per country. | UB-2021-06-V01-INT-EN